

Ancillaries

Slimduct System 225/300

Features

- Designed for concealed ducting within ceiling cavity
- Robust steel or plastic options available in two widths
- System 225 suitable for SF90 and RF90 Select Bathroom Range
- System 300 suitable for SK200 Select Kitchen fans and cookerhoods
- Wide range of components
- Corrosion-proof
- Unique fan connector ensures simple installation (steel only)

Options

Bathrooms
System 225 Steel
System 225 Plastic

Kitchen & Utility Rooms
System 300 Steel
System 300 Plastic

Two sizes of plastic air brick available in brown, terracotta or sand.

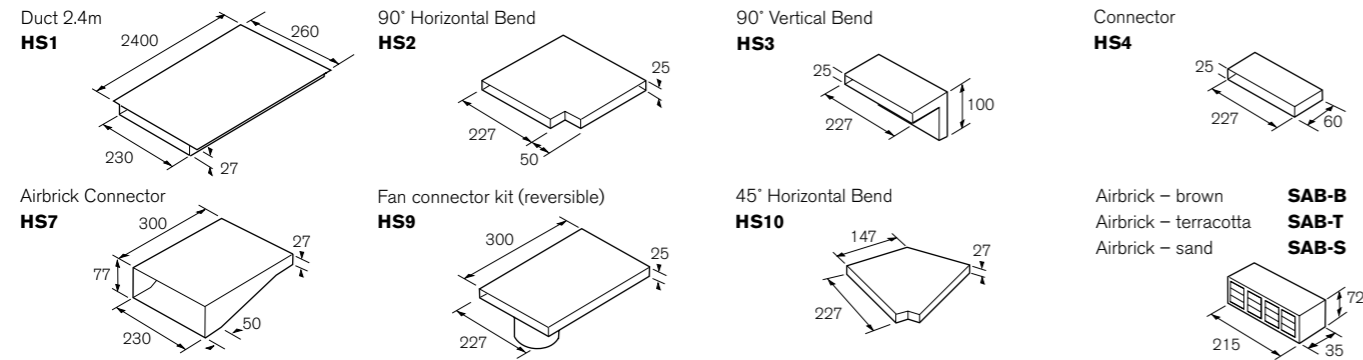
Materials: Steel System – Pre-galvanised steel sheet to BS2989. Lip edges triple thickness for durability.
Plastic System – White PVCu.

Installation

Sitework: For steel duct only: cut components to length as required, slide together and pin through lip edges. Seal joints with adhesive tape. Remove anti-backdraught shutters from fans before connection to Slimduct.

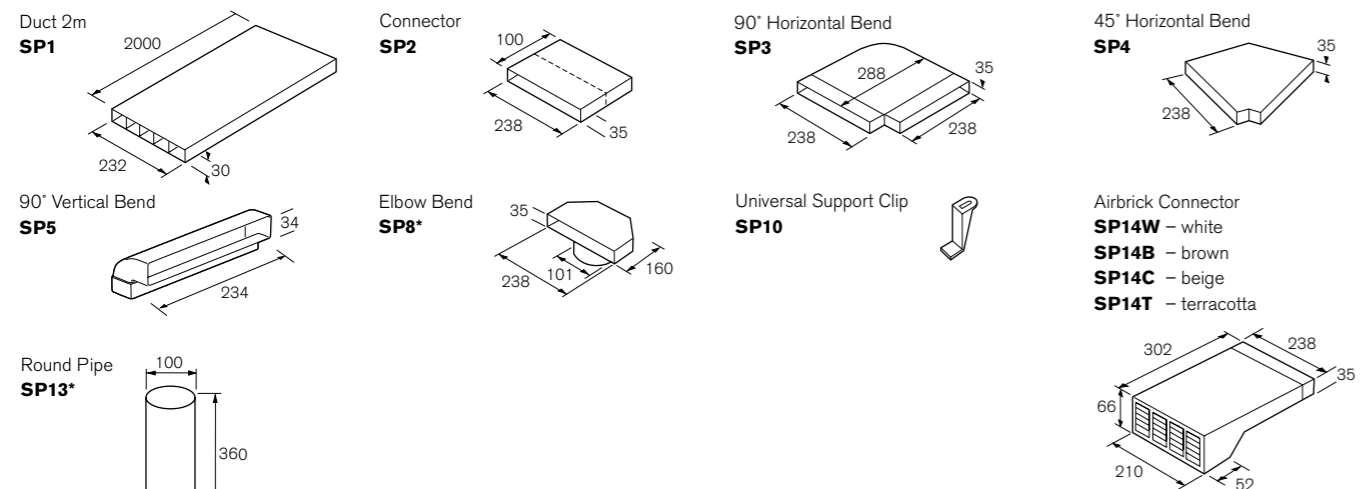
Slimduct System 225 - Steel

External measurements shown.



Slimduct System 225 - Plastic

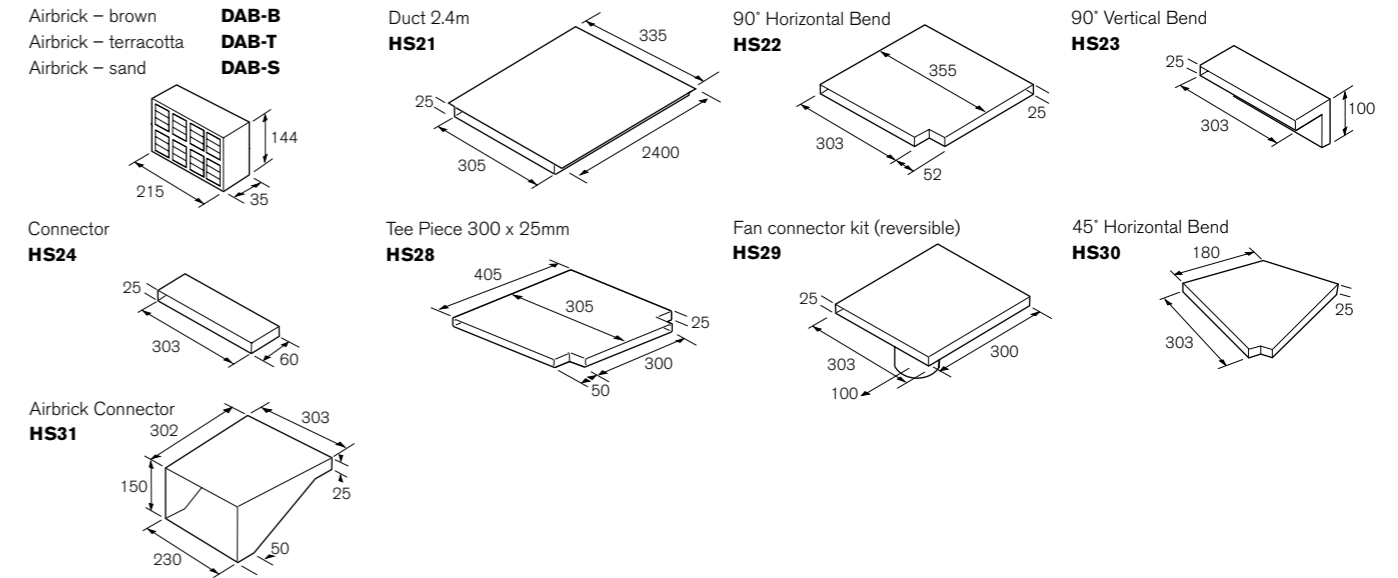
External measurements shown.



* For connection to fan use SP8 & SP13

Slimduct System 300 - Steel

External measurements shown.



Slimduct System 300 - Plastic

External measurements shown.

