

Ancillaries

Fire damper FD1-100

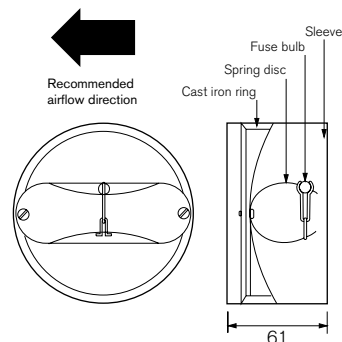
Features

- For 100mm ducts
- 1 hour fire resistance with 70°C actuator fitted as standard



Physical specification

All measurements in millimetres.



Tested & accepted by:
Fire Research Station
CSTB France
Statens Branningpeksjon Norway
Technischen Universität Germany

Remote sensors HHRW

Features

- Unique humidity sensor activates fan when relative humidity (RH) exceeds activation point. Adjustable between 30 – 90% RH
- Ideal for kitchen ventilation
- Features set-back facility to eliminate night-time running
- Includes adjustable overrun timer
- Tamper proof controls
- Low profile aesthetics
- Can be used in conjunction with the following Greenwood Fans: AXS100, SF90, RF90, P1, AXSK, and SK200B2

Installation

- Fuse:** 3 amp normally required (when fan is supplied from a 6A lighting circuit no local fuse is required).
- Cable:** 1mm² max.
- Loading:** Up to 150W.
- Wiring:** Wiring must comply with IEE regulations.
- Installation:** Sensors feature knockouts for recessed wiring. The maximum operating temperature is 45°C.

Physical specification

All measurements in millimetres.

